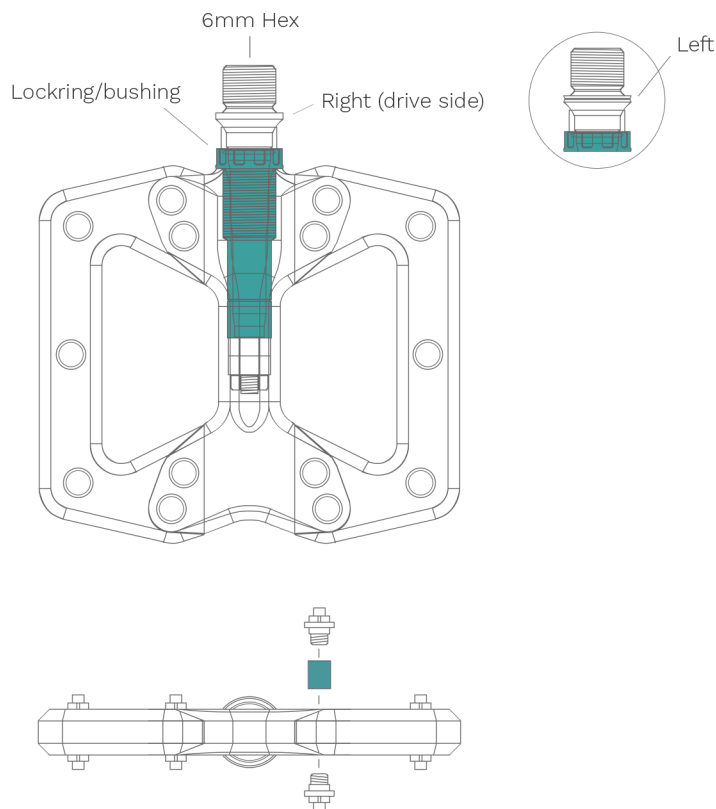


Modular Flat Pedal Details

- Price: **\$159.95 CAD** (includes 1 spare cage, replacement cages **\$4.95 CAD** each)
- Weight: **415g** (Base Cage, medium)
- Platform material: Forged/CNC-machined **AL6061-T6**
- Cage material: Nylon Composite
- Profile: **12mm Flat** (Base Cage, medium)
- Platform: **108mm x 97mm** (Base Cage, medium)
- Pin material: **Stainless steel with Alloy inserts**
- Pin height: **4mm, 5.5mm** options
- Internals: **Heavy-duty Cr-Mo Axle.** Oversized, self-extracting bushing with double outer bearings
- Colors available: Cages are available in **12 different colors**, bodies and pins are available in silver or black

Available now from www.squidworx.bike



Installation.

Apply grease to axle threads.
Install with 6mm Hex. Torque to 35Nm (25 ft-lbs) Min, the left side has reverse threads (tighten counter-clockwise).

Removing/installing Internals.

Use supplied Lockring tool to remove internals, right side lockring uses reverse thread (counterclockwise to remove). Do not over tighten. Tighten to 18kgf.cm.

Removing/installing pins.

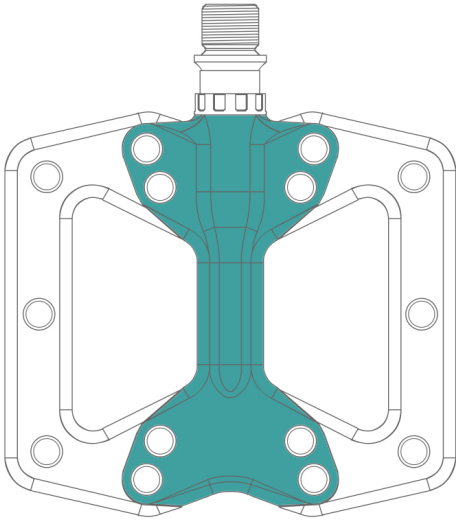
Use two 5mm sockets, one for the pin on each side. Sockets should not have beveled faces or you can risk rounding the bolts. When fitting new pins always use blue Loctite to prevent pins from unscrewing.

Removing/installing cages.

Remove all pins from the body, and if needed push out the inserts, the cages should now pull apart from the bodies.

Notes:

Avoid using a pressure washer on the seals of the pedals, as this can force dirt and water into the bodies. If dirt does get inside it can cause the lockring to unwind from the body. If you notice this happening, fully remove the internals, clean and regrease as necessary.



Aluminum Core/Body:

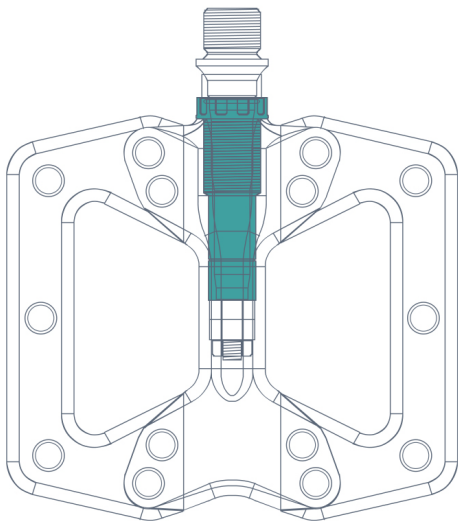
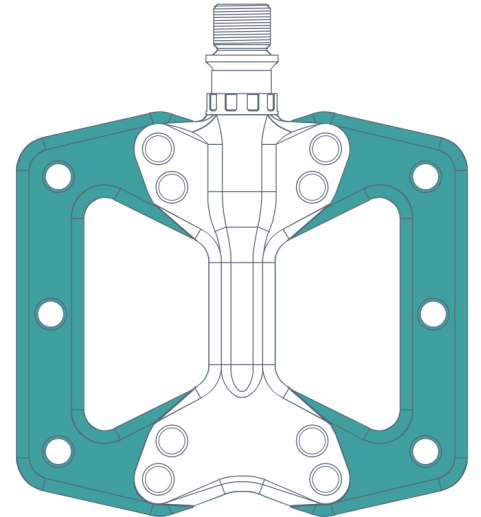
Stronger, thinner and better fitting internals.

The aluminum body allows us to have a thinner overall pedal with better fitting, longer lasting internals. Which are less likely to develop play compared with an all-composite pedal. It also allowed us to use a single-sided internal design, meaning there is only one way for dirt to get in.

Replaceable Nylon Composite Cages:

Absorb impacts, cheap to replace.

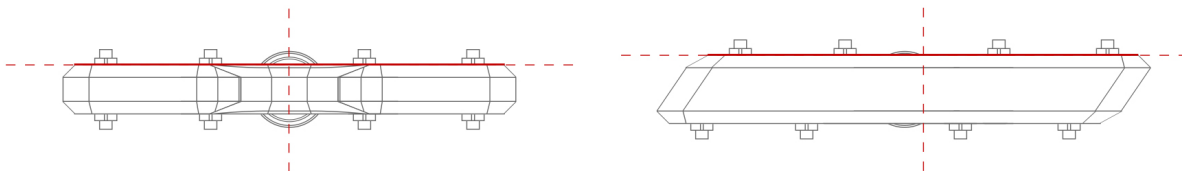
Nylon Composite Cages are better at absorbing and deflecting impacts. And can be easily and cheaply replaced. Replacement cages start at 4.95 CAD! They are also available in 12 different colors, and three different sizes.



Single-Sided, Self Extracting Internals:

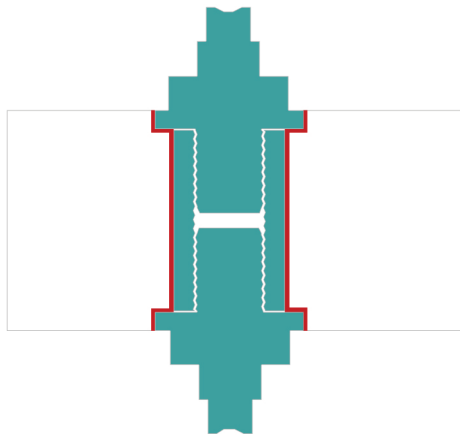
Harder for dirt to enter, easier to clean, and service.

Extremely durable yet easily accessible and serviceable. Our fully sealed internals comprise of an oversized bushing (spreads the load) and double bearing design. The single-sided access reduces the risk of water and dirt getting into the pedal. While being self-extracting allows for quick hassle-free servicing (tool supplied).



Symmetrical Pedal Profile: Better weight placement, larger pin spread, smaller form.

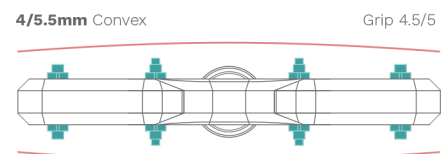
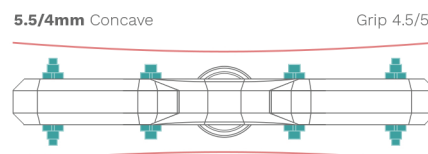
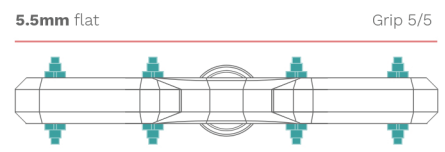
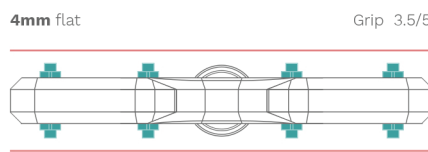
Using Metal instead of plastic to house the axle and internals, allowed us to reduce the height of the pedal body to 12mm (thinner than any composite pedal currently available). At this height, you no longer need to offset the pedal to help reduce impacts, so we used a symmetrical design. Resulting in a lower center of gravity and with weight being centered over the axle. Making it easier to ride with your heels down and reduce the tendency for your foot to slip off the front of the pedal. It also allows for a larger pin spread in a smaller overall sized pedal.



Stealth Pins: Stronger, simpler, cleaner.

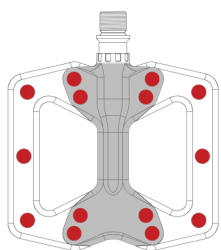
Our unique pins thread into removable aluminum inserts. This design spreads any impact force over a much larger area, while at the same time eliminates threads from the pedal body and cages that can be damaged. No more ripping pins out of plastic pedals or damaging the threads in your metal pedals. Pins can also be accessed and removed from both sides, and their stealth design means there are no open holes for dirt to build up and collect in. Allowing for the cleanest looking and best mud-shedding pedal available.

Choose from 4 standard pin profiles for the feel and grip level you want.

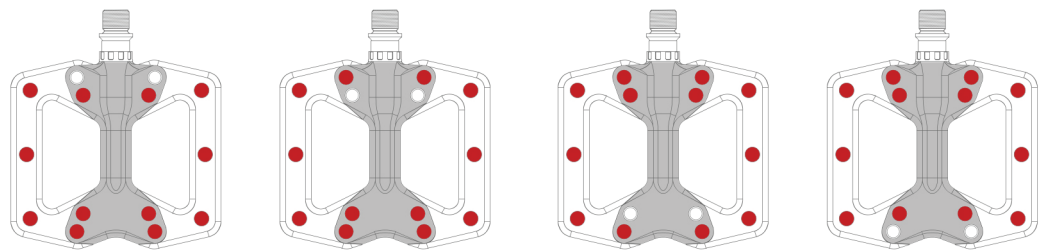


Tuneable Grip: Customizable pin profiles and layout

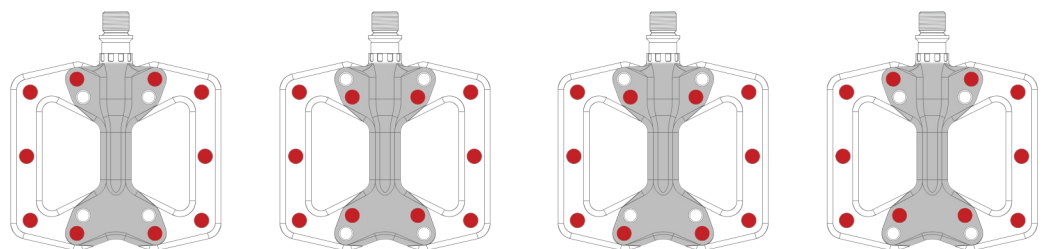
Our platform design allows you to tune your grip level as desired. Currently, choose from 4 different pin profiles, then choose from 9 different pin layouts, ranging from 10 - 14 pins per side.



14 Pin Configuration



12 Pin Configurations (-10 grams per pair)



10 Pin Configurations (-20 grams per pair)